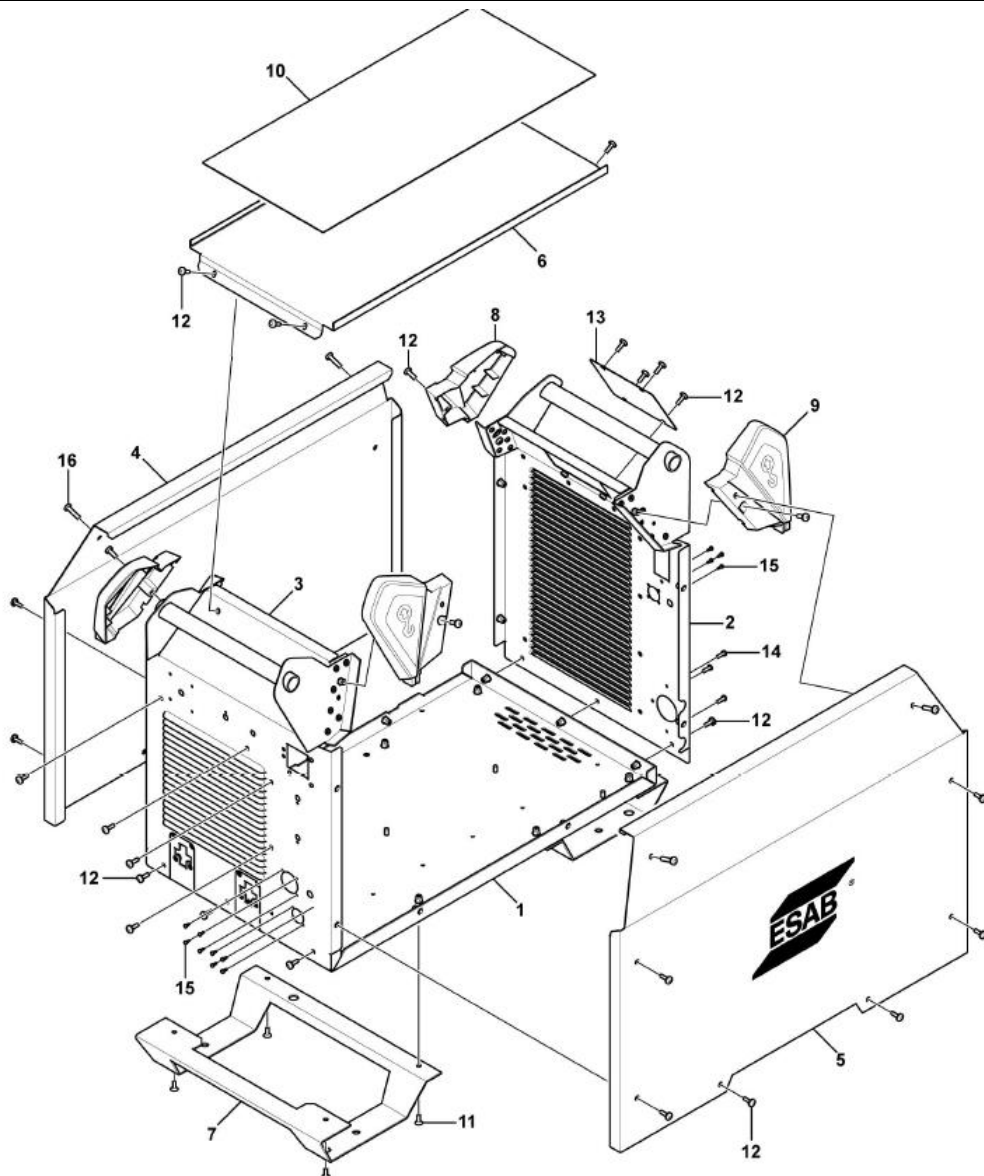


ESAB WARRIOR 750i CC/CV

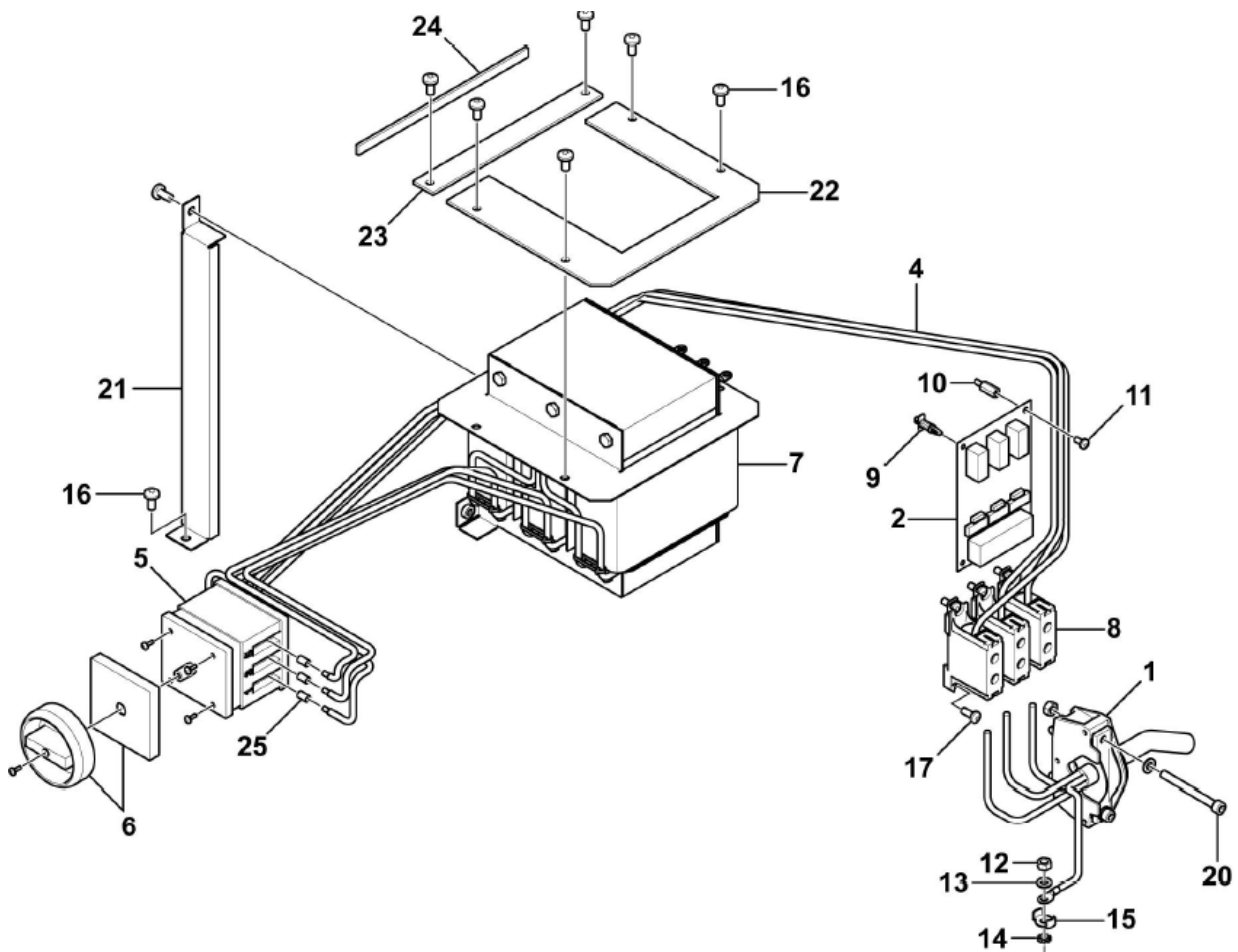


ESAB WARRIOR 750i CC/CV

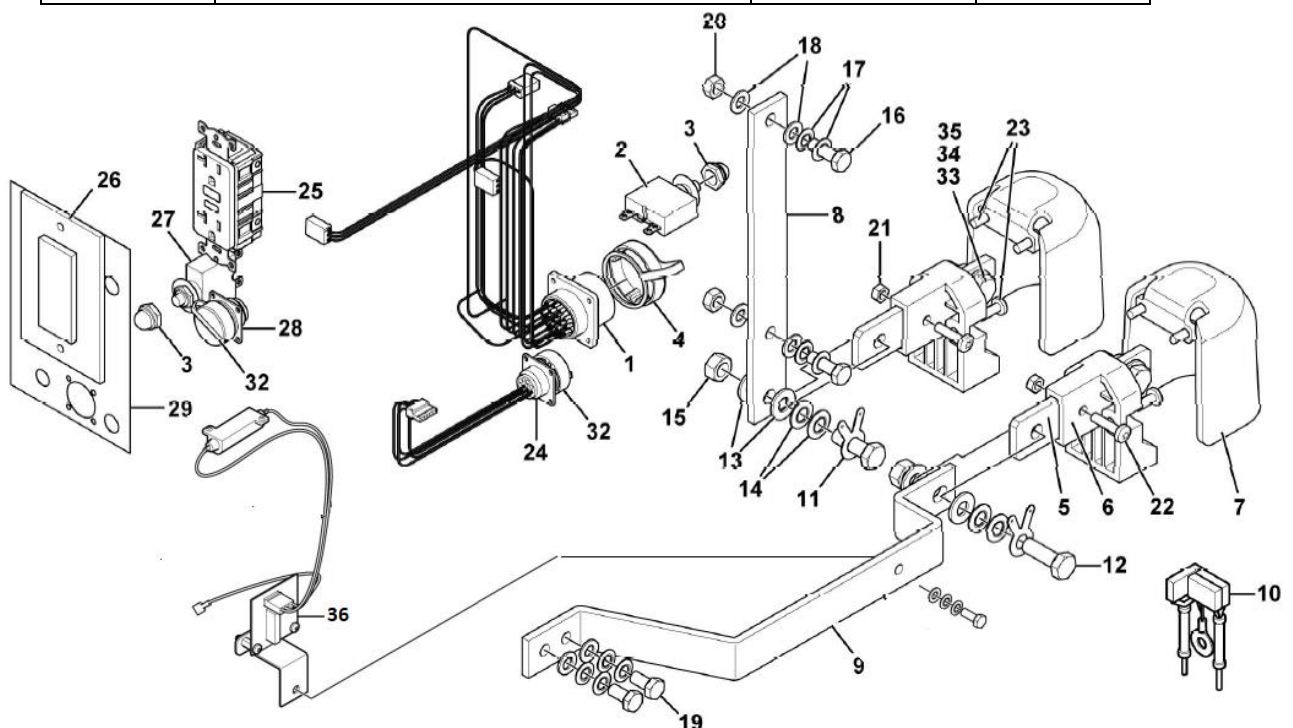
ITEM	DESCRIPCION	NUMERO PARTE	CODIGO
1	BOTTOMPANELASSEMBLY	445561880	CONSULTAR
2	REARPANELASSEMBLY	445563880	CONSULTAR
3	FRONTPANELASSEMBLY	445566880	CONSULTAR
4	SIDEPANELLEFT	445571880	CONSULTAR
5	SIDEPANELRIGHT	445571881	CONSULTAR
6	TOPPANEL	445569001	CONSULTAR
7	FOOT	445572001	CONSULTAR
8	HANDLECORNERPART	445576001	CONSULTAR
9	HANDLECORNERPART, MIRRORRED	445576002	CONSULTAR
10	RUBBERMAT	445574001	CONSULTAR
11	SCREW	-----	CONSULTAR
12	SCREW	-----	CONSULTAR
13	COVERPLATE	445708001	CONSULTAR
14	SCREW	-----	CONSULTAR
15	SCREW	-----	CONSULTAR
16	SCREW	-----	CONSULTAR



ITEM	DESCRIPCION	NUMERO PARTE	CODIGO
1	CABLEINLET (INCLUYE 2 SCREWS M6×80)	464677880	CONSULTAR
2	ESAB FILTER MAIN PCBA 750 (440247880)	440247880	618869
4	MAINSWITCH HARNESS	445582880	CONSULTAR
5	MAINSSWITCH MV	465878001	618805
6	MAINSWITCH KNOB MV	465878002	616385
7	ESAB INDUCTOR AC 750 (445957880)	445957880	618808
8	ESAB TERMINAL BLOCK 750 (INCLUYE SOPORTE DE FIJACIÓN, TORNILLOS Y TUERCAS)	445954001	618807
12	NUT (6K STEEL 8.8 M6)	-----	CONSULTAR
13	WASHER (BRBD 12/6.4×1.5)	-----	CONSULTAR
14	WASHER (LOCKAZ 6.4×11)	-----	CONSULTAR
15	WASHER (MSG (FOR CABLE) KB 6.5)	-----	CONSULTAR
16	SCREW (MRT M6×12)	-----	CONSULTAR
17	SCREW (MRT M5×12)	-----	CONSULTAR
20	SCREW IN 6 STEEL 8.8 M6×80 (SE INCLUYE EN EL ITEM 1)	-----	CONSULTAR
21	SUPPORT BRACKET AC INDUCTOR	445565001	CONSULTAR
22	INSULATION AC INDUCTOR	446414001	CONSULTAR
23	BRACKET AC INDUCTOR	446415001	CONSULTAR
24	SEALING STRIP	-----	CONSULTAR
25	CORD-END TERMINALS (H10, 0/12)	349484784	CONSULTAR

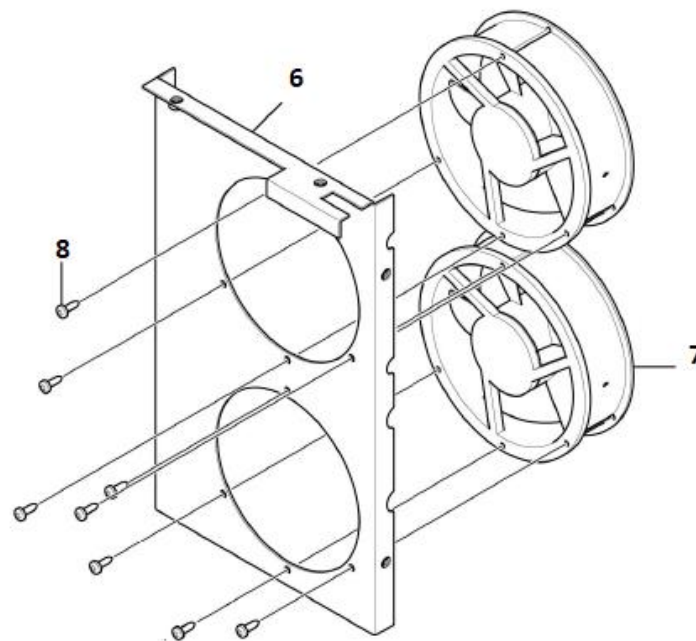
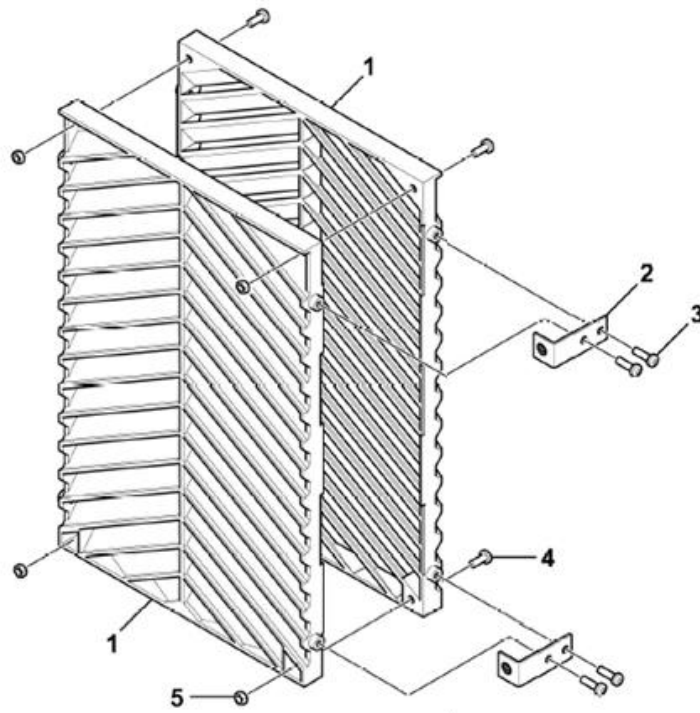


ITEM	DESCRIPCION	NUMERO PARTE	CODIGO
1	ESAB CONEC BASE 19 HARN 750	445701880	618797
2	ESAB AUTOMATIC FUSE 10A (193586102)	193586102	616370
3	PROTECTIONCAP	455376001	CONSULTAR
4	PROTECTIONCAP	465501001	CONSULTAR
5	ESAB RAIL BAR CONEC 750	445939001	618801
6	ESAB PLASTIC BAR CONEC 750	445587001	618802
7	ESAB COVER BAR CONEC 750	445588001	618803
8	RAIL (SECONDARYINDUCTORTO-VE)	445919001	CONSULTAR
9	RAIL(SECONDARYHEATSINKTO+VE)	445918001	CONSULTAR
10	ESAB OUTPUT CAPACITOR 750	445906880	620012
11	ESAB FLAT PIN CONECTOR AVS	349312952	619656
12	SCREW(M6S10x30)	-----	CONSULTAR
13	WASHER(BRBD22/10.5x2)	-----	CONSULTAR
14	CUPSPRING	-----	CONSULTAR
15	NUT(6KSTEEL8.8M10)	-----	CONSULTAR
16	SCREW(M6S8x25)	-----	CONSULTAR
17	CUPSPRING(16/8.2)	-----	CONSULTAR
18	WASHER(BRBD16/8.4x1.5)	-----	CONSULTAR
19	SCREW(M6S8x12)	-----	CONSULTAR
20	NUT(6KSTEEL8.8M8)	-----	CONSULTAR
21	NUT(6KSTEEL8.8M6)	-----	CONSULTAR
22	SCREW(MRTM6x25)	-----	CONSULTAR
23	SCREW(MRTM6x16BLACK)	-----	CONSULTAR
24	ESAB CONEC REMOTE HARN 750	445705880	618798
25	ESAB SUPPLY OUTLET 750 (115V/ 220V)	445946880	618804
26	COVERSUPPLYOUTLET	445947001	CONSULTAR
27	ESAB CIRCUIT BREAKER 20A 750	193586104	618788
28	ESAB CONEC COOLER HARN 750	446284880	618799
29	DECALREARPANEL	445958001	CONSULTAR
30	WASHERLOCK	-----	CONSULTAR
31	WASHERBRB	-----	CONSULTAR
32	PROTECTIONCAP	366285001	CONSULTAR
33	SCREW	-----	CONSULTAR
34	WASHER	-----	CONSULTAR
35	NUT	-----	CONSULTAR
36	ESAB VRD KIT 750	445910880	620011

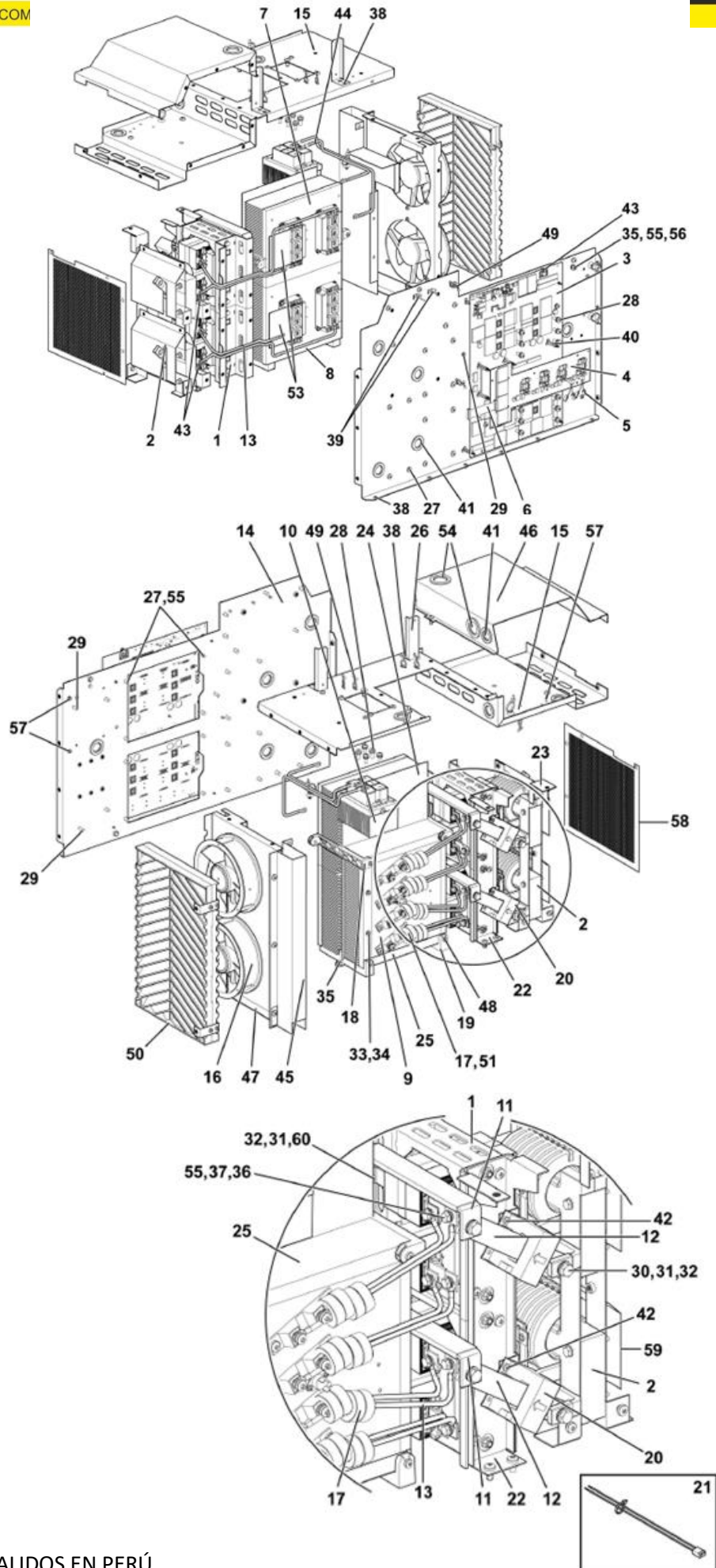


CODIGOS VALIDOS EN PERÚ

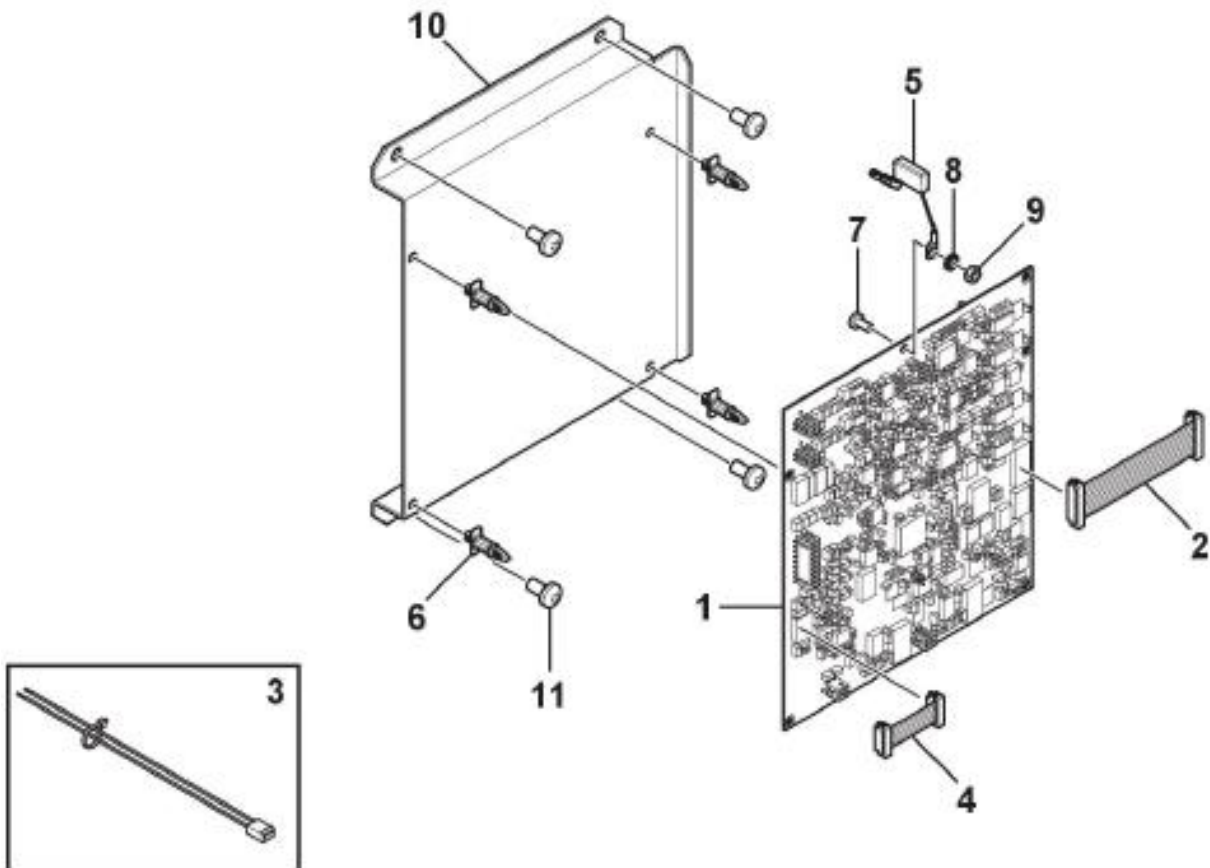
ITEM	DESCRIPCION	NUMERO PARTE	CODIGO
1	ESAB LOUVER 750	445578001	618796
2	LOUVERFIXINGPLATE ASSEMBLY	445709880	CONSULTAR
3	SCREW(REMFORMTORX5×16)	-----	CONSULTAR
4	SCREW(MRTM5×12)	-----	CONSULTAR
5	NUT(6KSTEEL8.8M5)	-----	CONSULTAR
6	FANFIXINGPLATE ASSEMBLY	445710880	CONSULTAR
7	ESAB FAN 750	445924880	618785
8	SCREW(RTSST4.8×16)	-----	CONSULTAR



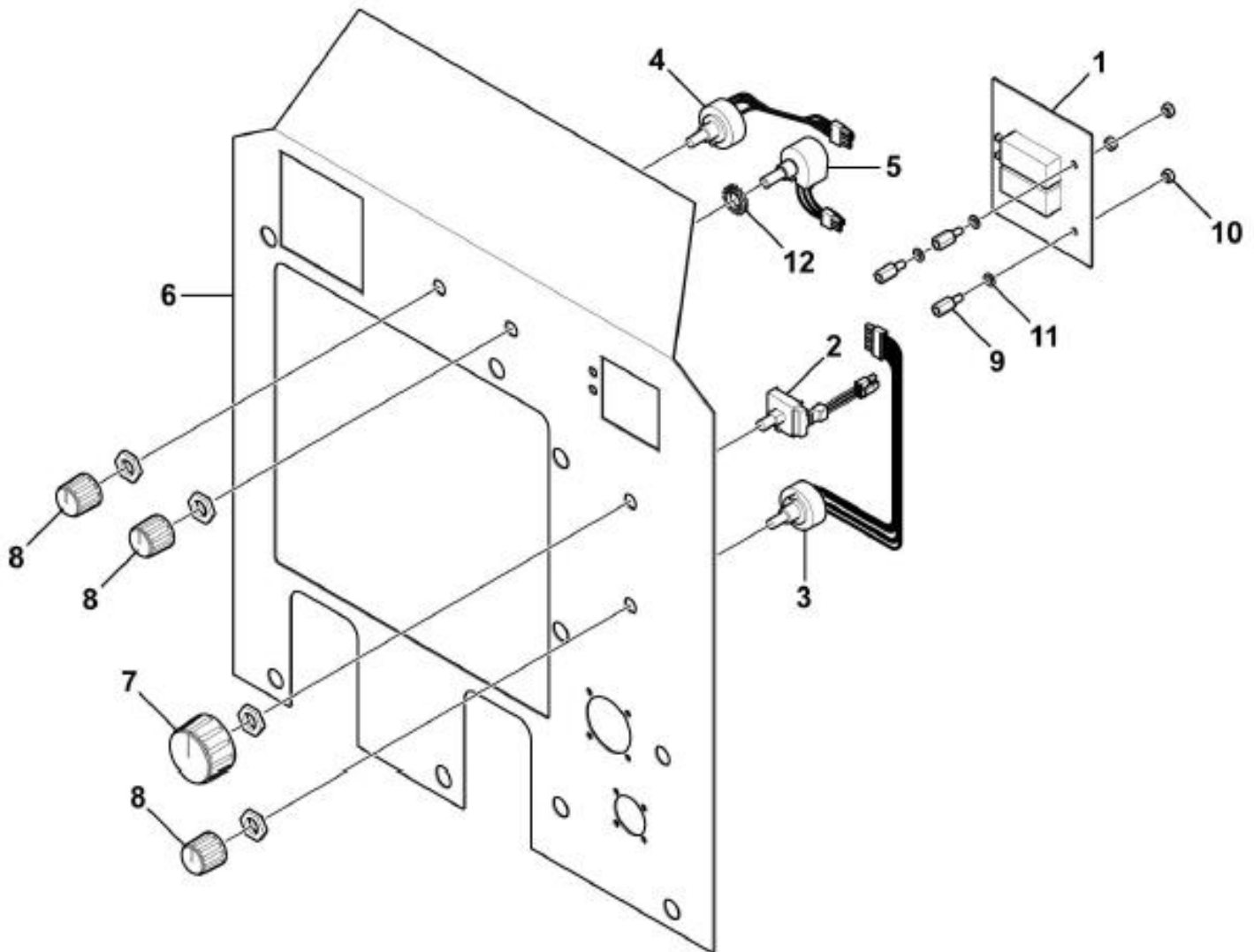
ITEM	DESCRIPCION	NUMERO PARTE	CODIGO
1	TRANSFORMER	445901881	CONSULTAR
2	SECONDARYINDUCTOR	445930881	CONSULTAR
3	ESAB POWER PCBA 750	440267880	618779
4	ESAB GATE DRIVE BOARD 750	440277880	618778
5	GATEDRIVEHARNES	445937880	CONSULTAR
6	FLATCABLEWITH CONNECTOR	465349880	616378
7	TOPPRIMARYINVERTER	445921001	CONSULTAR
8	BOTTOMPRIMARYINVERTER	445921001	CONSULTAR
9	SECONDARYRECTIFIER	465208005	CONSULTAR
10	BRIDGERECTIFIER	445959001	CONSULTAR
11	RAIL	445926001	CONSULTAR
12	RAIL	445927001	CONSULTAR
13	MAINTRANSFORMER HARNES	445941880	CONSULTAR
14	INTERMEDIATESIDE ASSEMBLY	445568880	CONSULTAR
15	INTERMEDIATETOP ASSEMBLY	445573880	CONSULTAR
16	FANMODULE	445924880	618785
17	FERRITERINGCORE	194034005	CONSULTAR
18	HEAT-SINKSIDE BRACKET	445585001	CONSULTAR
19	HEATSINKBOTTOM BRACKET	445586001	CONSULTAR
20	CURRENTSENSOR	458063001	616985
21	CURRENTSENSORHARNES	445985880	CONSULTAR
22	TRANSFORMERFIXINGPLATE	445953880	CONSULTAR
23	INDUCTORSUPPORTPLATE	445934880	CONSULTAR
24	INSULATIONBETWEEN HEATSINK	445584001	CONSULTAR
25	NOMEXSECONDARY HEATSINK	445971001	CONSULTAR
26	IPSBOARDFIXINGPLATE	445596001	CONSULTAR
27	SCREW(MRTM6x12)	-----	CONSULTAR
28	SCREWMRT(COMBIM6x16)	-----	CONSULTAR
29	SCREW(REMFORMTORX5x16)	-----	CONSULTAR
30	SCREW(M6S8x25)	-----	CONSULTAR
31	CUPSPRING(12/6.2)	-----	CONSULTAR
32	WASHER(BRBD16/8.4x1.5)	-----	CONSULTAR
33	SCREW(MRTM5x12)	-----	CONSULTAR
34	WASHER(BRBD10/5.3x1)	-----	CONSULTAR
35	NUT(6KSTEEL8.8M6)	-----	CONSULTAR
36	HEXAGONSCREW	-----	CONSULTAR
37	CUPSPRING(A-12,5-1)	-----	CONSULTAR
38	DOMEHEADRIVET(D4x10)	-----	CONSULTAR
39	RIVETWITHFLATPIN	-----	CONSULTAR
40	SPACER(28.6 MM)	-----	CONSULTAR
41	ESAB RUBBER INLET 28 MM (194069002)	194069002	616301
42	SCREW(MRTM4x8)	-----	CONSULTAR
43	SCREW(MRT-COMBIM5X10)	-----	CONSULTAR
44	DCLINKHARNES	445943880	CONSULTAR
45	AIRDUCT	445579001	CONSULTAR
46	AUXILIARYTRANSFORMER COVER	445980880	CONSULTAR
47	FANSUPPORTPLATE ASSEMBLY	445711880	CONSULTAR
48	SCREW(MRTM5x16)	-----	CONSULTAR
49	CABLEBEARERHOLE(4MM)	-----	CONSULTAR
50	LOUVERASSEMBLY(REFERLOUVERASSEMBLY)	-----	CONSULTAR
51	CLAMP(SST-4S)	-----	CONSULTAR
53	THERMALPROTECTION INSULATION(INCLUDEDINITEM102)	-----	CONSULTAR
54	GROMMET(37MM)	194069003	CONSULTAR
55	WASHER(BRBD12/6.4x1.5)	-----	CONSULTAR
56	WASHERLOCK(AZ6.4x11)	-----	CONSULTAR
57	TIEWARPPUSHMOUNT	-----	CONSULTAR
58	MESH	446297001	CONSULTAR
59	NOMEXIP	446298001	CONSULTAR
60	SCREW(M6SM8x16)	-----	CONSULTAR



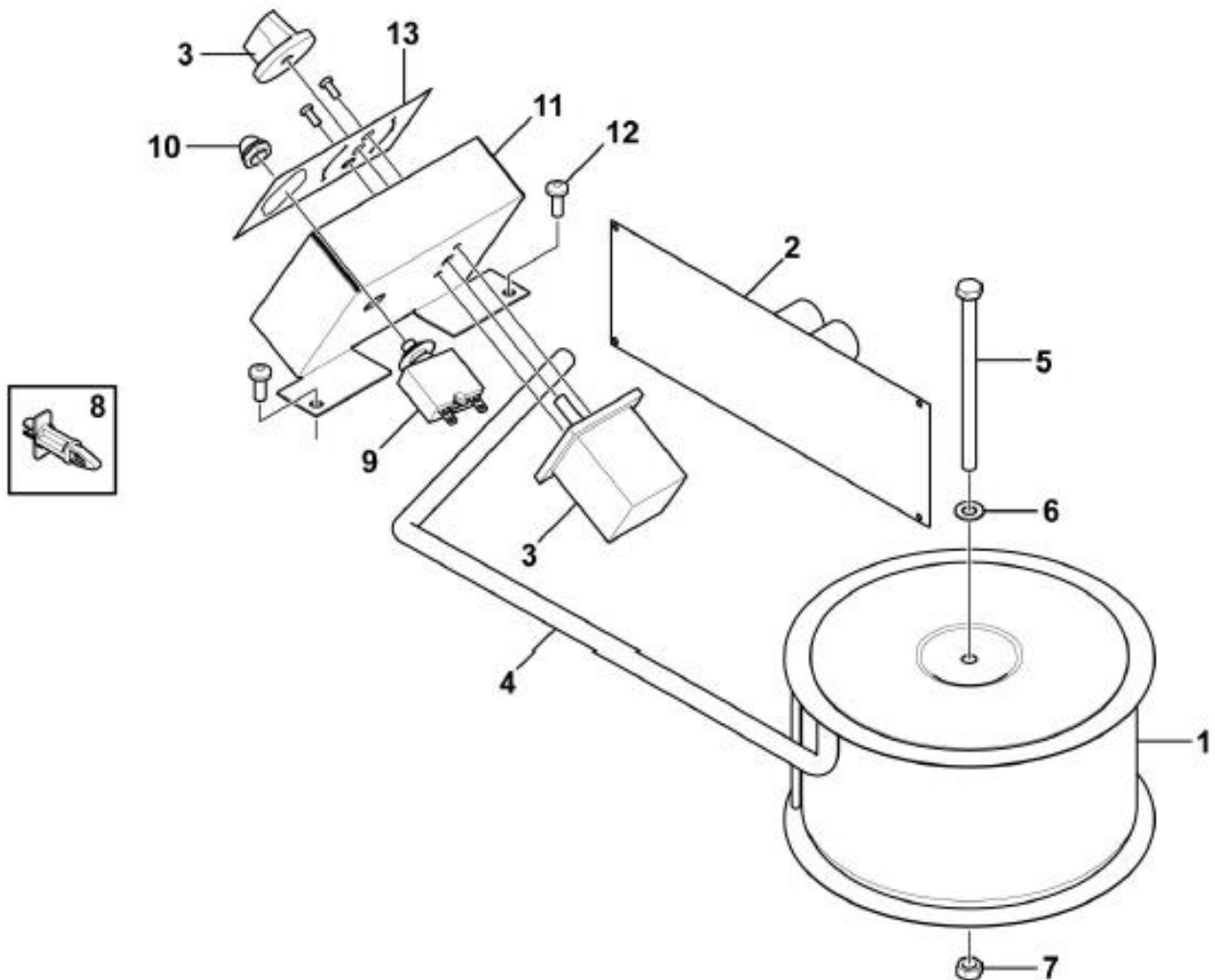
ITEM	DESCRIPCION	NUMERO PARTE	CODIGO
1	ESAB CONTROL BOARD 750	440272880	618868
2	ESAB FLAT PB 750	465329881	618793
3	IPS-CONTROLPCBA HARNESS	445989880	CONSULTAR
4	ESAB HARNESS MMC 750	465349881	618794
5	ESAB CAPACITOR	467911888	616373
6	SPACER(12.7MM)	192790104	CONSULTAR
7	SCREW(MRTM4x8)	-----	CONSULTAR
8	WASHERLOCK(AZ4.3x8ST)	-----	CONSULTAR
9	NUT(6KSTEEL8.8M4)	-----	CONSULTAR
10	CONTROL BOARD FIXING PLATE	445597001	CONSULTAR
11	SCREW(MRTM6x12)	-----	CONSULTAR



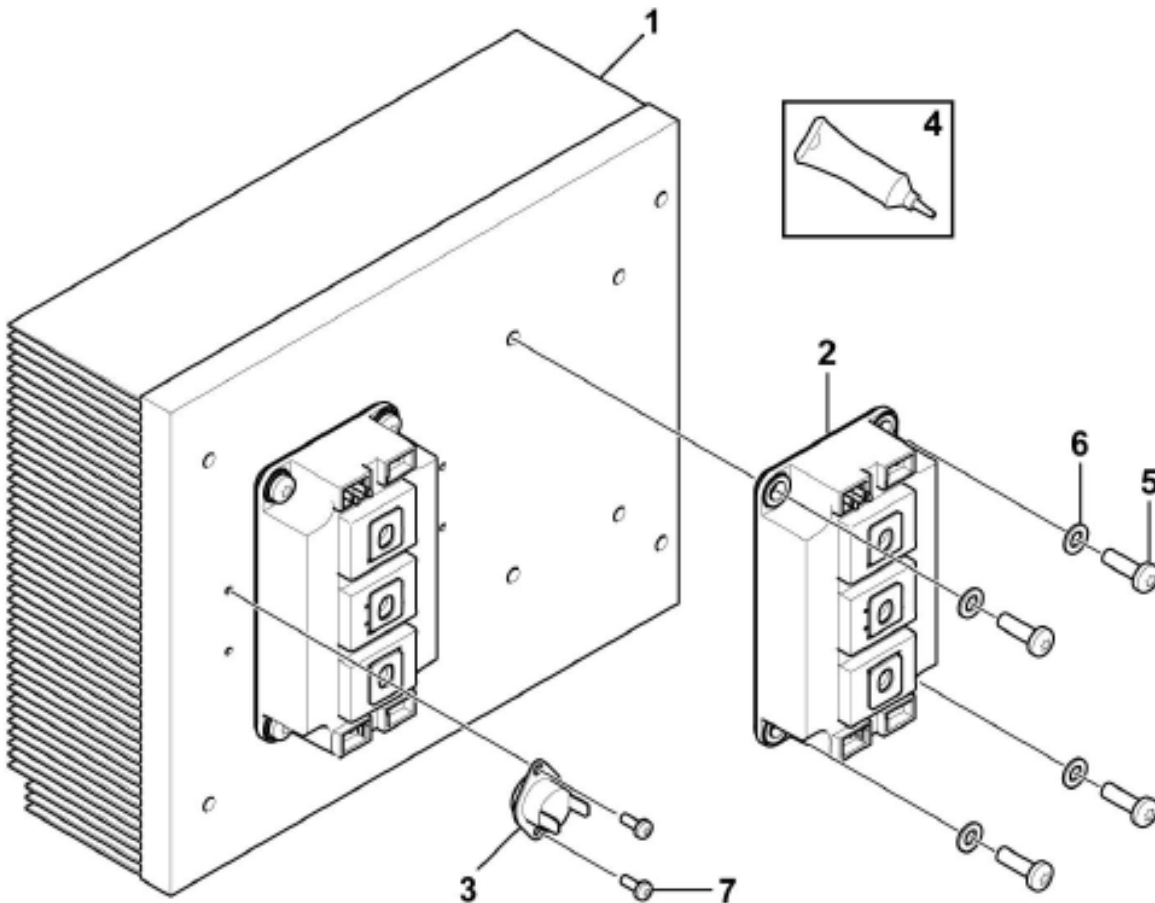
ITEM	DESCRIPCION	NUMERO PARTE	CODIGO
1	ESAB PCBA DISPLAY BOARD	440008880	614039
2	ESAB ENCODER	465327880	616375
3	ESAB SWITCH UI 5POS 750	445995880	618790
4	ESAB SWITCH UI 3POS 750	445904880	618791
5	ESAB POTENTIO UI 750	445997880	618792
6	OVERLAY(DECAL)	445945001	CONSULTAR
7	ESAB KNOB D36-1/4 ARISTOFEED(0321475893)	321475893	614184
8	ESAB KNOB ARISTOFEED(0321475881)	321475881	614166
9	SPACERSCREW(M4x12)	-----	CONSULTAR
10	NUT(6KSTEEL8.8M4)	-----	CONSULTAR
11	WASHER(BRBD8/4.3x0.8)	-----	CONSULTAR
12	WASHERLOCK(AZ10.5/18)	-----	CONSULTAR



ITEM	DESCRIPCION	NUMERO PARTE	CODIGO
1	ESAB TRANSFORMER AUX 750	445951001	618786
2	ESAB IPS BOARD 750	440257880	618782
3	ESAB ROTARY SWITCH 6POS 750	445591880	618787
4	AUXILIARYTRANSFORMER HARNESS	445717880	CONSULTAR
5	SCREW(M6S8×120)	-----	CONSULTAR
6	WASHER(TBRBSTEELD16/8.4)	-----	CONSULTAR
7	NUT(6KSTEEL8.8M8)	-----	CONSULTAR
8	SPACER(12.7 MM)	-----	CONSULTAR
9	ESAB CIRCUIT BREAKER 20A 750	193586104	618788
10	PROTECTIVECAP	455376001	CONSULTAR
11	BRACKET-SELECTION SWITCH	445707001	CONSULTAR
12	SCREW(MRTM6×12)	-----	CONSULTAR
13	VOLTAGESELECTIONLABEL	445972001	CONSULTAR



ITEM	DESCRIPCION	NUMERO PARTE	CODIGO
1	PRIMARYHEATSINK	445921001	CONSULTAR
2	ESAB IGBT MODULE SET WARRIOR (INCLUYE 2IGBTMODULOS,1 THERMALPROTECTION INSULATION,1 THERMALCOMPOUNDAND 8 TORNILLOS M6×20)	464503880	614178
3	THERMALSWITCHHARNESS	445981880	CONSULTAR
4	CONTACTPASTE (INCLUIDO EN EL ITEM 2)	-----	CONSULTAR
5	SCREW(MRTM6×16)	-----	CONSULTAR
6	WASHER(BRBD12/6.4×1.5)	-----	CONSULTAR
7	SCREW(MRTM3×8)	-----	CONSULTAR



ITEM	DESCRIPCION	NUMERO PARTE	CODIGO
1	SECONDARYHEATSINK	465208005	CONSULTAR
2	DIODEMODULESET (INCLUYE 4DIODES,1THERMAL COMPOUNDAND 8TORNILLOS M6x12)	464678880	618783
3	THERMALSWITCHHARNES	445981881	CONSULTAR
4	CONDUCTIVETHERMAL PASTE (INCLUIDO EN EL ITEM 2	-----	CONSULTAR
5	SCREW(MRTM6X12)	-----	CONSULTAR
6	SCREW(MRTM3X8)	-----	CONSULTAR
7	RECTIFIERHEATSINK	445959001	CONSULTAR
8	RECTIFIERBRIDGE 3-PHASE (INCLUYE 1RECTIFIERBRIDGE,1 THERMALCOMPOUNDAND5 TORNILLOS M6x16)	464679880	618784
9	SCREW(MRTM6x12)	-----	CONSULTAR

